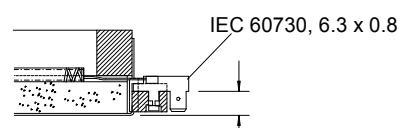
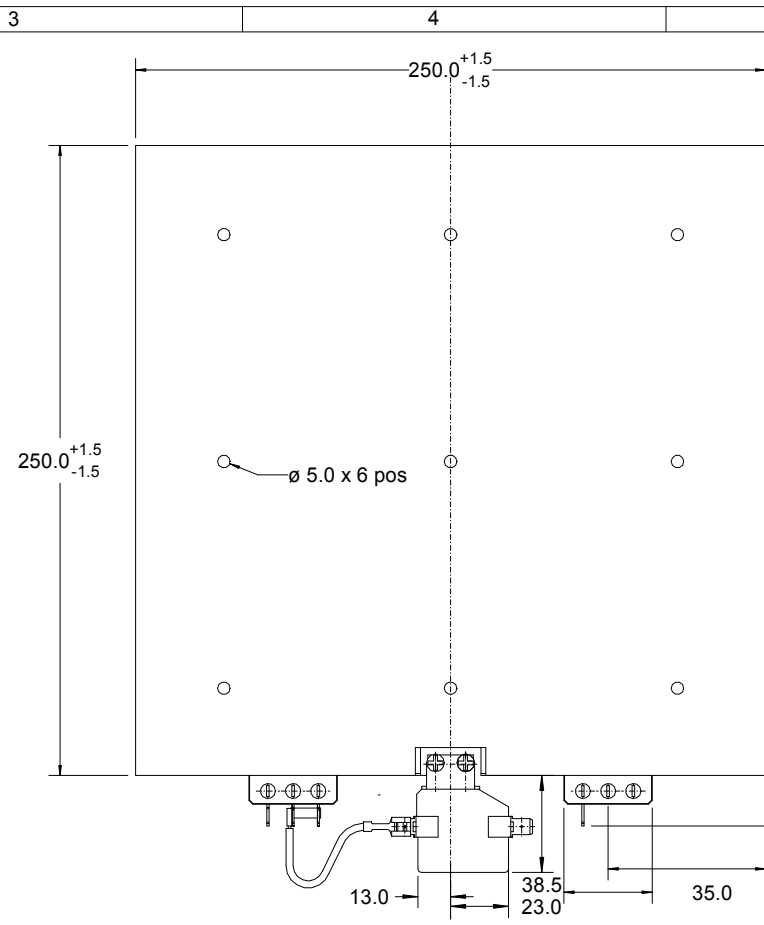


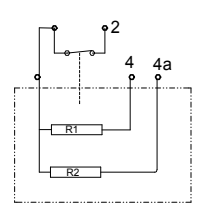
Part Section Y-Y



Section on view Z, terminal block



Wiring Connections



002	250R	3000	230	1500	1500		530 +/-25 C °	Low, inboard limiter mounting
001	250R	3000	230	1300	1700		530 +/-25°C	
Variant	Model	Power	Supply	Circuits			Glass Temperature [To] for 6mm Ceran 85753	Variations from standard
				R1	R2	R3		
							All Dimensions in mm	Third Angle Projection
							Scale 3:1	
							Description	
01	First Issue		06.09.07	AB		Vitroheat 250 x 250 Rectangular Heater		
Revision	Change		Date	Name				
© PRW Product Design Ltd Droitwich, UK Not to be copied or used without permission				Drawing No.		A4-250R-30-23-2-C-001		