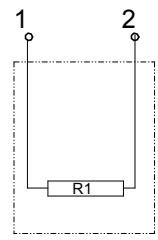
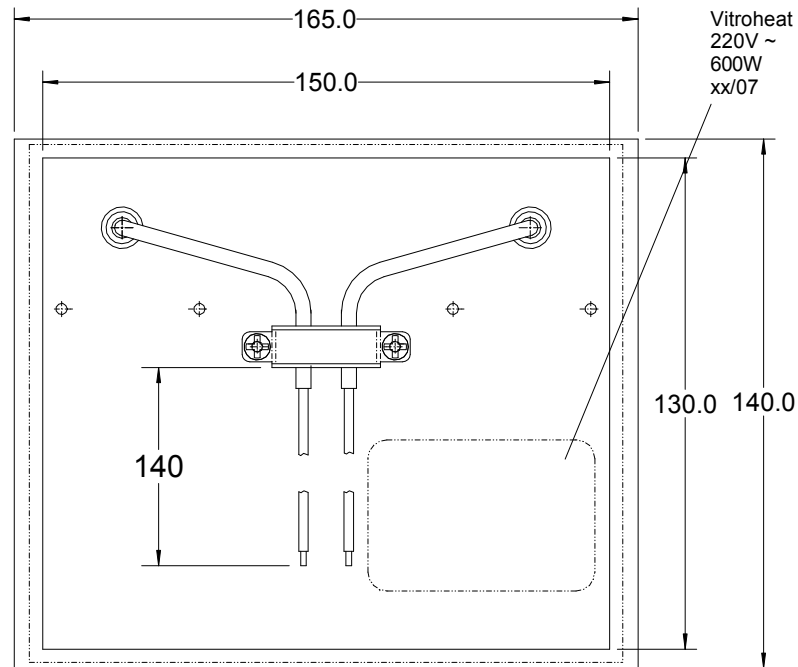
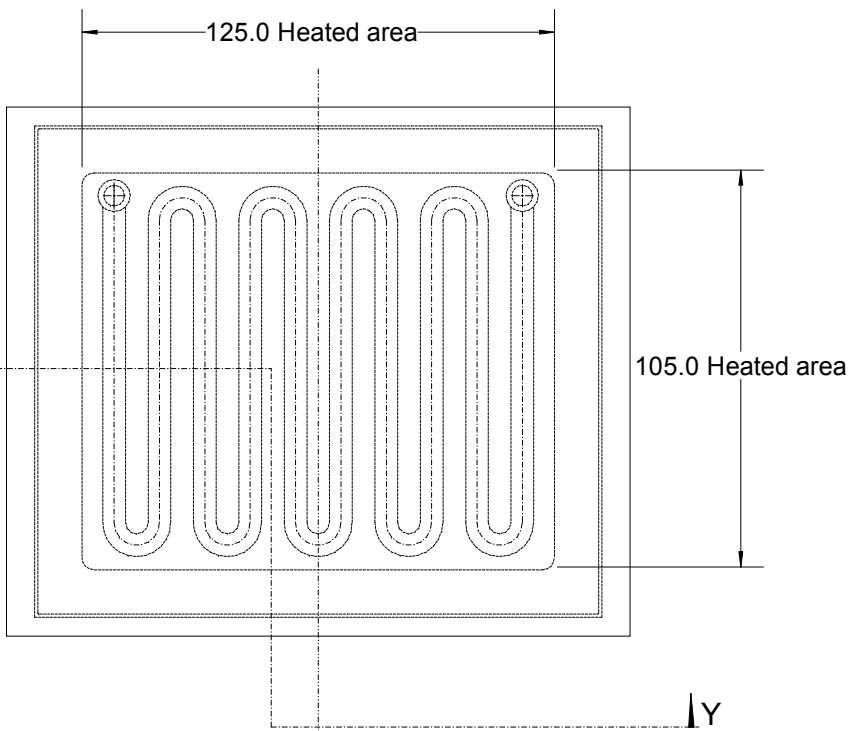
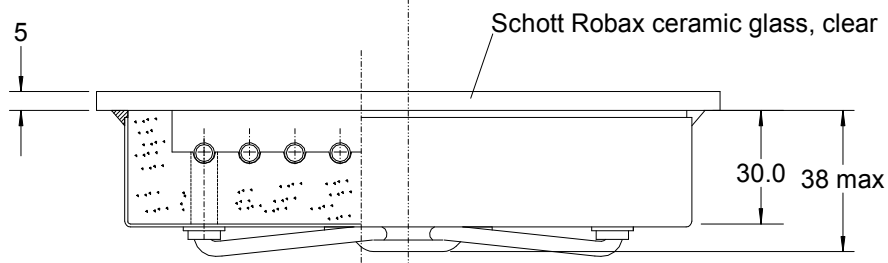


Marking:

Vitroheat 150R-6-22-1-A-001  
220V ~  
600W  
xx/07



Wiring Connections



Part Section Y-Y

001	150R	600	220	600	-		No limiter	
Variant	Model	Power W	Supply V~	R1	R2	R3	Glass Temperature [To] for 6mm Ceran 85753	Variations from standard
				Circuits				
All Dimensions in mm							Third Angle Projection	
Scale 3:1								
Description				<b>Vitroheat 150 x 130 Rectangular Heater</b>				
01	First Issue		16.02.07	PRW				
Revision	Change		Date	Name				
© PRW Product Design Ltd Droitwich, UK Not to be copied or used without permission				Drawing No. <b>A4-150R-6-22-1-A-001</b>				